

Flexy Compact Ambient unit on cupboard (1GN) with wheels, H=750mm

ITEM # _____

MODEL # _____

NAME # _____

SIS # _____

AIA # _____


322069 (F00N1KW00S)

 Ambient Unit on cupboard
 (1 GN) with wheels and two
 stainless steel tray sliders,
 H=750mm

Short Form Specification

Item No. _____

Compact design, ideal for space saving environments. AISI 304 Foldable tray sliders on long sides. Unit mounted on 125 mm wheels 2 swivel and 2 with brakes. Top provides ample displaying or workspace surface. Sturdy body construction with laminated panelings on 4 sides. 750mm worktop height.

Main Features

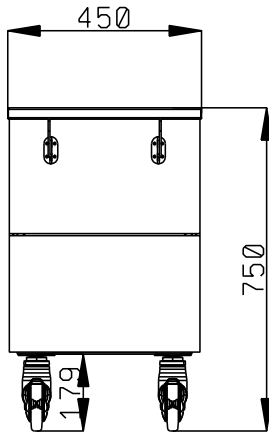
- Perfect compact design makes it ideal for space saving environments.
- CB and CE certified by a third party notified body.
- Soft closing doors on operator side.
- Available options with online configurator: colors, tray sliders, overshelves, feet/wheels with desired diameter, height 750mm for kids.
- Top provides ample displaying or workspace surface.
- Optional plinth can be installed to cover the feet or the wheels.
- AISI 304 Tray slider in flush mounted stainless steel is installed on long sides and they can also be folded down to facilitate passage of the units through doorways.
- Ideal for servery lines without an operator.
- Unit mounted on 125 mm wheels 2 swivel and 2 with brakes.
- Food introduced at the correct temperature maintains its core temperature according to Afnor Standards.
- Available dimensions: 1, 2, 3, 4 GN.
- Thanks to the sleek, minimalist glass structure, food and dust does not get trapped and the cleaning is made easier.

Construction

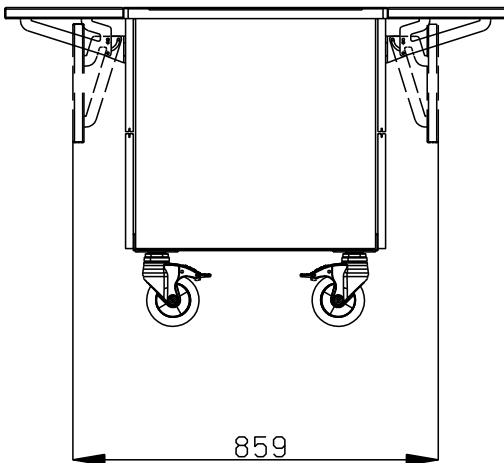
- Top in AISI 304.
- Sturdy construction with laminated panelings on 4 sides.

APPROVAL: _____

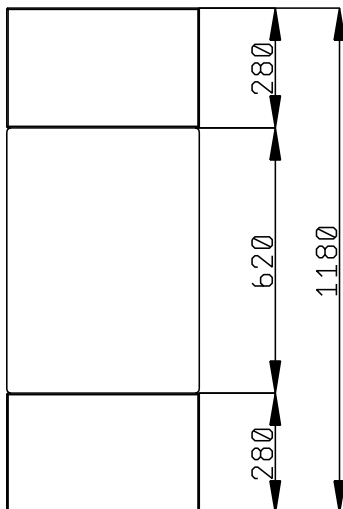
Front



Side



Top


Key Information:

N° of doors:	1
322069 (F00N1KW00S)	
External dimensions, Width:	450 mm
External dimensions, Depth:	1180 mm
External dimensions, Height:	750 mm
Net weight:	41 kg
Shipping height:	780 mm
Shipping width:	490 mm
Shipping depth:	899 mm
Shipping volume:	0.34 m ³